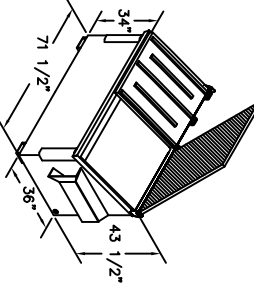
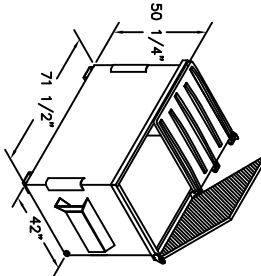


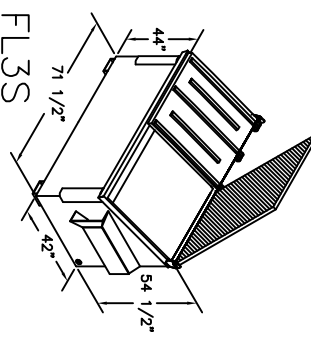
FL2



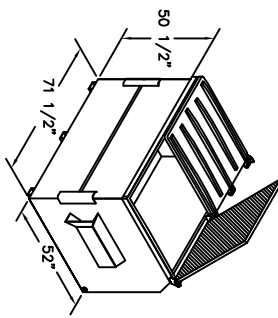
FL2S



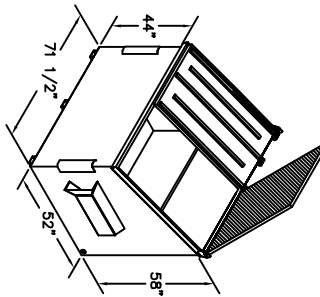
FL3



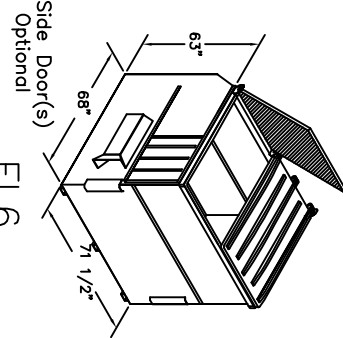
FL3S



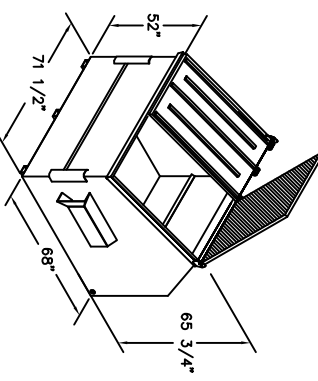
FL4



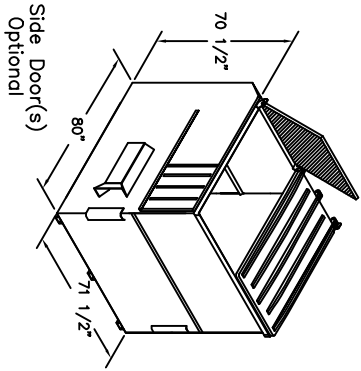
FL4S



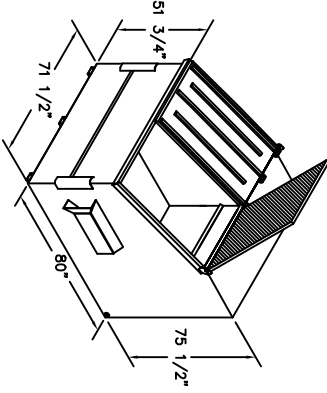
FL6



FL6S



FL8



FL8S

STANDARD SPECS

- 7 Ga Bumper Pads
- (4) 7 Ga Castor Pads – 2,3,4 & 6 Yds
- 6 Yd Flats – Side Doors Optional
- 8 Yd Flats – 2 Side Doors
- Primed & Painted
- (Variety of Colours available)
- Options Available – Cardboard Slots
- Automatic Lid Lock
- Castors – Rigid & Swivel, Locking

NOTE: DIMENSIONS SHOWN ARE NOMINAL

		WASTEQUIP ACCURATE STANDARD FRONT LOAD CONTAINER SIZES	
		SCALE	NTS
DATE	10/28/05	SALES DWGS	DRAWN

THIS DRAWING IS THE PROPERTY OF ACCURATE OF CANADA INC. IS CONFIDENTIAL, MUST NOT BE MADE PUBLIC OR COPIED, AND IS SUBJECT TO RETURN ON DEMAND. ALL RIGHTS OF DESIGN OR INVENTION ARE RESERVED.